

Stage Architectural Series Loudspeakers

In-wall and In-Ceiling Architectural Loudspeakers

JBL



**Stage
260W**



**Stage
280W**



**Stage
250WL**



**Stage
260C**



**Stage
280C**



**Stage
260CDT**



**Stage
260CSA**



**Stage
280CSA**

Product Overview

The Stage Architectural Series was designed to deliver iconic JBL sound that blends into the environment so that the music stands out. All models are crafted to be visually discrete with zero bezel grilles and easy installation allowing these speakers to be heard and not seen. Elements including baffles with acoustic smoothing, acoustic lens tweeters, and patented High-Definition Imaging (HDI™) horns have been incorporated into the design to ensure that the sound is clear and accurate. A range of eight models are available in various configurations for In-Wall and In-Ceiling installation.

Highlights

- Rigid Baffle design with acoustic smoothing for improved transducer integration
- Aluminum Dome Tweeters with Acoustic Lens for smooth on and off axis frequency response
- High-Definition Imaging (HDI™) horns with optimized geometry for smooth dispersion and low distortion
- Harman target curve acoustic performance for smooth accurate sound over a large listening area
- Zero bezel metal grille installs flush to wall or ceiling for clean inconspicuous appearance
- XL-2 installation system compatible with up to 2" (50mm) thick wall/ceiling material

Performance Highlights



High-Definition Imaging (HDI™) horn with optimized geometry for smooth dispersion and low distortion

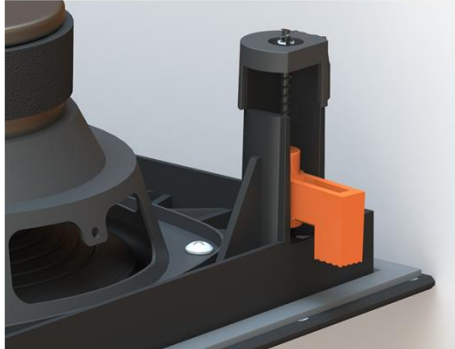
Acoustic Lens for smooth on and off axis frequency response

Rigid baffle design with acoustic smoothing for improved transducer integration.



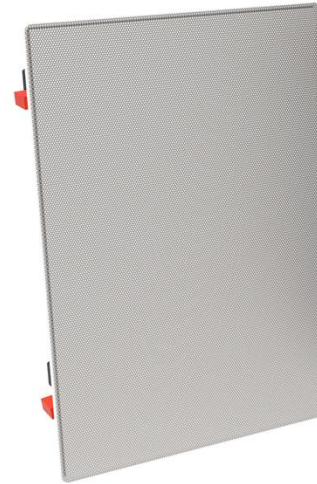
XL-2 Leg Mounting System

- Compatible with up to two-inch material thickness






Zero Bezel Magnetic Grille

- Installs flush to wall or ceiling for clean inconspicuous appearance



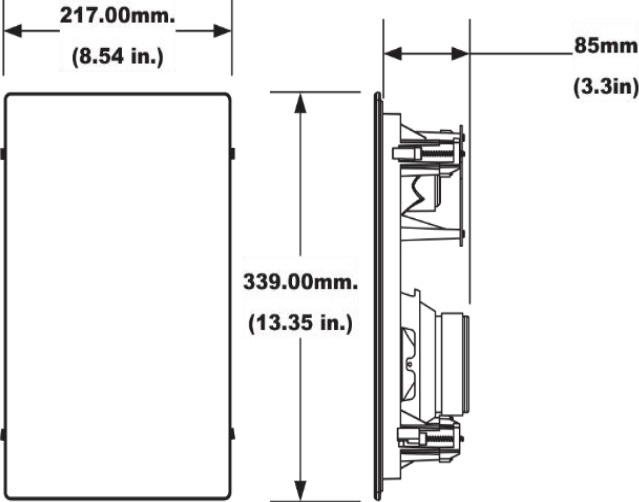
In-Walls

Specifications

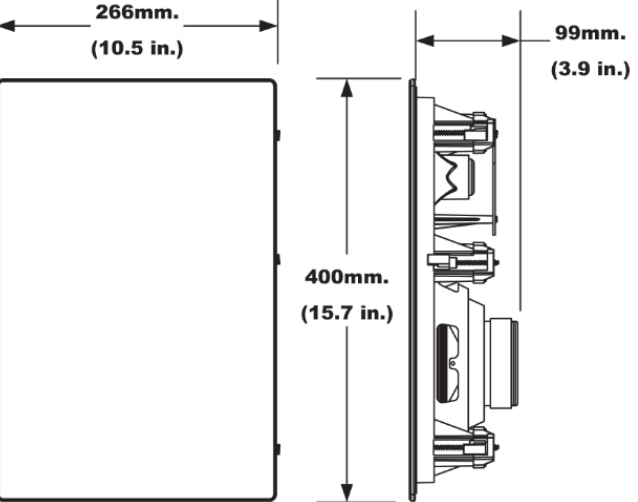
	Stage 260W	Stage 280W	Stage 250WL
			
High Frequency Transducer	1" (25mm) Aluminum dome with High-Definition Imaging (HDI™) horn	1" (25mm) Aluminum dome with High-Definition Imaging (HDI™) horn	1" (25mm) Aluminum dome with High-Definition Imaging (HDI™) horn
Low Frequency Transducer	6.5" (165mm) Polycellulose cone woofer	8" (200mm) Polycellulose cone woofer	Dual 5.25" (130mm) Polycellulose cone woofer
Recommended Amplifier Power	20-100W RMS	20-120W RMS	20-120W RMS
Frequency Response	50Hz-25kHz (-6dB on-axis)	42Hz-25kHz (-6dB on-axis)	52Hz-25kHz (-6dB on-axis)
Sensitivity (2.83V@1m)	87dB	90dB	90dB
Nominal Impedance	8ohm	8ohm	8ohm
Crossover Frequency	1900Hz	1700Hz	2100Hz
Inputs	Nickel-plated spring-loaded connectors	Nickel-plated spring-loaded connectors	Nickel-plated spring-loaded connectors
Grille Dimensions	H 13.3in (339mm) x W 8.5in (217mm)	H 15.7in (400mm) x W 10.5in (266mm)	H 19.5in (496mm) x W 7.6in (194mm)
Cutout Dimensions	H: 12.2in (311mm) x W: 7.2in (184mm)	H: 14.6in (372mm) x W: 9.4in (238mm)	H: 18.1in (460mm) x W: 6.4in (162mm)
Mounting Depth	3.3in (88mm)	3.9in (102mm)	3.2in (84mm)
Product Weight (Kg)	2.2Kg	2.8Kg	3.5Kg
Shipping Carton Dimensions	L: 15.6in (396mm) x W: 10.8in (274mm) x H: 5.1in (130mm)	L: 17.8in (453mm) x W: 12.5in (318mm) x H: 5.5in (140mm)	L: 21.7in (552mm) x W: 9.9in (252mm) x H: 4.7in (120mm)
Shipping Carton Weight	6.48lbs (2.94Kg)	8.38lbs (3.8Kg)	9.61lbs (4.36Kg)

Dimensions

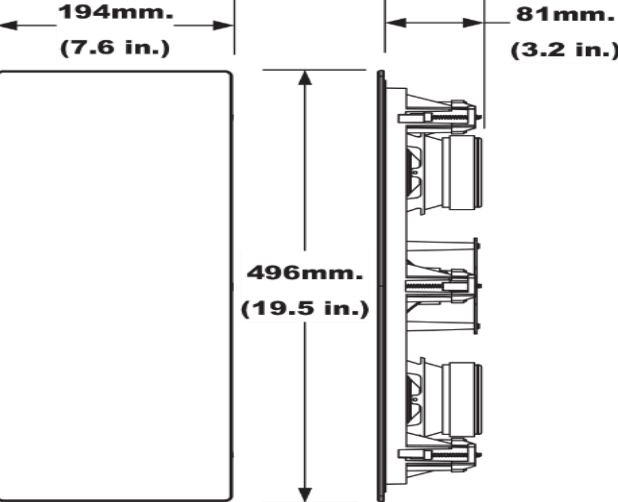
Stage 260W



Stage 280W





Stage 250WL



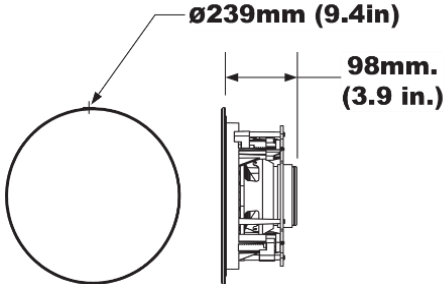
In-Ceiling (Standard)

Specifications

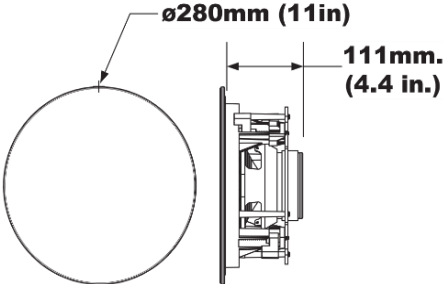
	Stage 260C	Stage 280C
		
High Frequency Transducer	1" (25mm) Aluminum dome with Acoustic Lens	1" (25mm) Aluminum dome with Acoustic Lens
Low Frequency Transducer	6.5" (165mm) Polycellulose cone woofer	8" (200mm) Polycellulose cone woofer
Recommended Amplifier Power	20-100W RMS	20-120W RMS
Frequency Response	50Hz-25kHz (-6dB on-axis)	42Hz-25kHz (-6dB on-axis)
Sensitivity (2.83V@1m)	87dB	90dB
Nominal Impedance	8ohm	8ohm
Crossover Frequency	3000Hz	3400Hz
Inputs	Nickel-plated spring-loaded connectors	Nickel-plated spring-loaded connectors
Grille Dimensions	Dia: 9.4in (239mm)	Dia: 11in (280mm)
Cutout Dimensions	Dia: 8in (203mm)	Dia: 9.6in (244mm)
Mounting Depth	4in (101mm)	4.4in (113mm)
Product Weight (Kg)	1.9Kg	2.2Kg
Shipping Carton Dimensions	L: 11in (280mm) x W: 11in (280mm) x H: 5.4in (136mm)	L: 12.7in (322mm) x W: 12.7in (322mm) x H: 5.6in (142mm)
Shipping Carton Weight	5.6lbs (2.54Kg)	6.97lbs (3.16Kg)

Dimensions

Stage 260C






Stage 280C



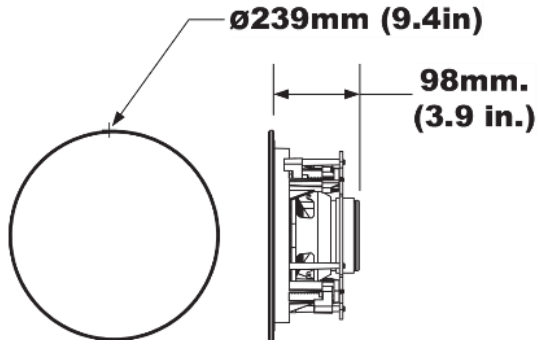
In-Ceiling (Special Use)

Specifications

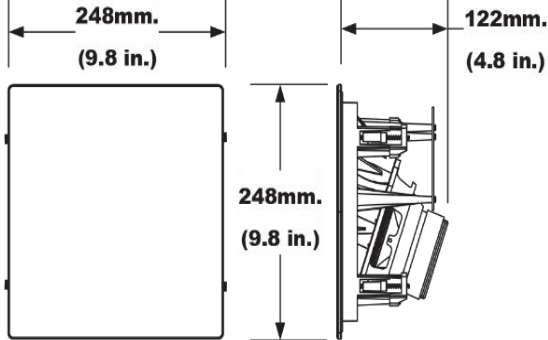
	Stage 260CDT	Stage 260CSA	Stage 280CSA
			
High Frequency Transducer	Dual 3/4" (20mm) Aluminum dome with Acoustic Lens	1" (25mm) Aluminum dome with Acoustic Lens	1" (25mm) Aluminum dome with Acoustic Lens
Low Frequency Transducer	Dual VC 6.5" (165mm) Polycellulose cone woofer	6.5" (165mm) Polycellulose cone woofer	8" (200mm) Polycellulose cone woofer
Recommended Amplifier Power	20-75W RMS	20-100W RMS	20-120W RMS
Frequency Response	50Hz-25kHz (-6dB on-axis)	50Hz-25kHz (-6dB on-axis)	42Hz-25kHz (-6dB on-axis)
Sensitivity (2.83V@1m)	90dB	87dB	90dB
Nominal Impedance	8ohm	8ohm	8ohm
Crossover Frequency	2900Hz	2800Hz	2900Hz
Inputs	Nickel-plated spring-loaded connectors	Nickel-plated spring-loaded connectors	Nickel-plated spring-loaded connectors
Grille Dimensions	Dia: 9.4in (239mm)	H 9.8in (248mm) x W 9.8in (248mm)	H 11.4in (289mm) x W 11.4in (289mm)
Cutout Dimensions	Dia: 8in (203mm)	H: 8.6in (219mm) x W: 8.6in (219mm)	H: 10.2in (260mm) x W: 10.2in (260mm)
Mounting Depth	4in (101mm)	4.9in (125mm)	5.5in (139mm)
Product Weight (Kg)	2.2Kg	2.2Kg	2.9Kg
Shipping Carton Dimensions	L: 11in (280mm) x W: 11in (280mm) x H: 5.4in (136mm)	L: 12in (306mm) x W: 12in (306mm) x H: 6.2in (158mm)	L: 13.6in (346mm) x W: 13.6in (346mm) x H: 6.5in (166mm)
Shipping Carton Weight	6.22lbs (2.82Kg)	6.66lbs (3.02Kg)	8.42lbs (3.82Kg)

Dimensions

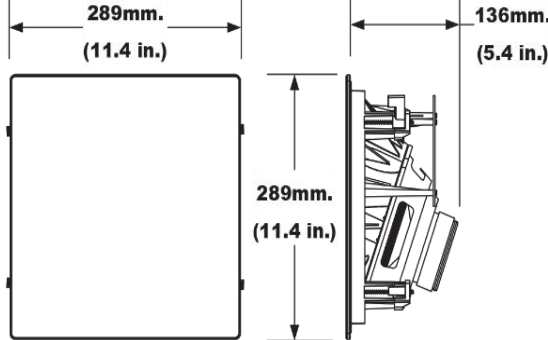
Stage 260CDT



Stage 260CSA



Stage 280CSA



Installation Tools

Pre-Construction Brackets



	JBLWB52	WB61 (New)	WB81 (New)	CB6SA (New)	CB8SA (New)	CB6	CB8
Description	For 5" In-Wall	For 6" In-Wall	For 8" In-Wall	For Angled 6" In-Ceiling	For Angled 8" In-Ceiling	For 6" In-Ceiling	For 8" In-Ceiling
Products Supported	Stage 250WL	Stage 260W	Stage 280W	Stage 260CSA	Stage 280CSA	Stage 260C / 260CDT	Stage 280C

Square Grille Kits



	SGK6	SGK8
Description	Square White Paintable Grille for 6" In-Ceiling	Square White Paintable Grille for 8" In-Ceiling
Products Supported	Stage 260C / 260CDT	Stage 280C